

WATER FILLER STATIONS AND SINKS



WATER FILLER STATION

WATER FILLER SINK



Features:

- "Push-Back" actuator faucet
- Sound deadened
- 11"x15" insulated ice bin
- Stainless steel cover
- 1" I.P.S. drain in ice bin
- Drip Plate with 1" I.P.S. drain

Model	Sink Bowl Dim. L x W x D	O.A. L x W	Cut-Out Size	Sink Base Length	Approx. Wt.
TA11-KMRE	21"x18"x13"	21x 18"	20-3/8"x15-1/4"	30"	15 lbs.

Features:

- One piece seamless Deep Drawn sink bowl design
- "Push-Back" actuator faucet
- Sound deadened
- Removable Electro-Polished stainless steel grill
- 1/2" I.P.S. drain
- Drip Plate with 1" I.P.S. drain

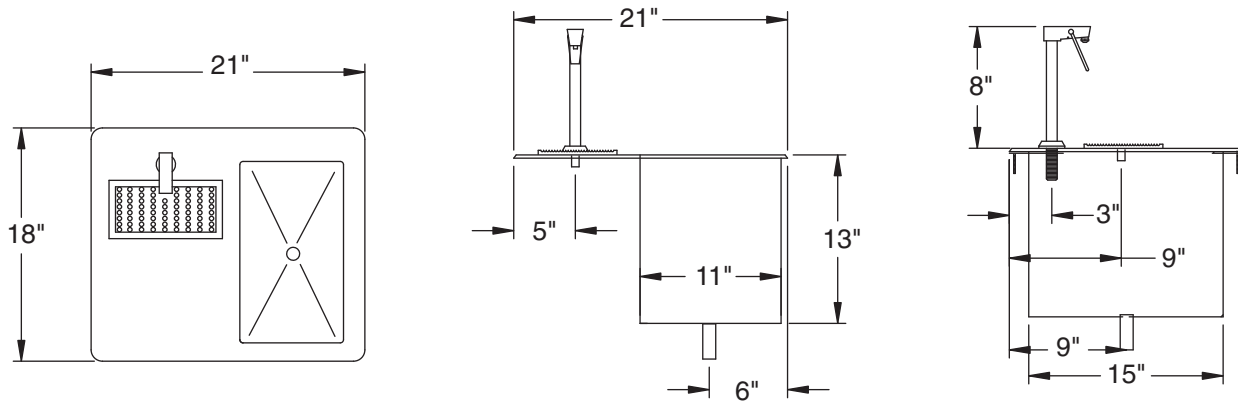
Model	Sink Bowl Dim. L x W x D	O.A. L x W	Cut-Out Size	Sink Base Length	Approx. Wt.
DI-1-9RE	9"x9"x3"	12x 14"	11-1/4"x13-1/4"	18"	30 lbs.

Professional Stainless Steel Products For Your Home

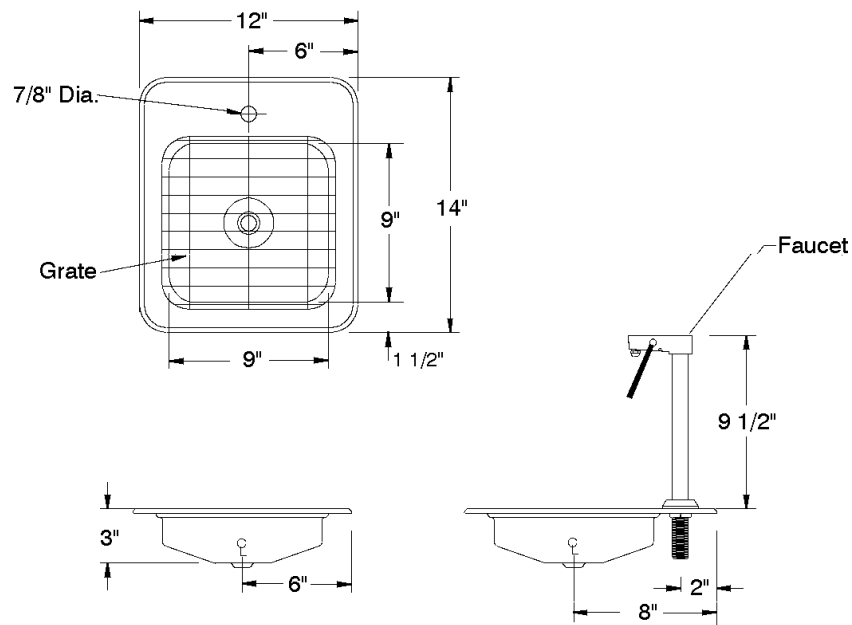
Toll Free Phone: 866-799-0106 • Toll Free Fax: 866-799-0249

www.alinebyadvancetabco.com

WATER FILLER STATION



WATER FILLER SINK



Professional Stainless Steel Products For Your Home

Toll Free Phone: 866-799-0106 • Toll Free Fax: 866-799-0249

www.alinebyadvancetabco.com