

## THE TREND™ GROUP 90° ANGLE FABRICATED SCULLERY SINKS

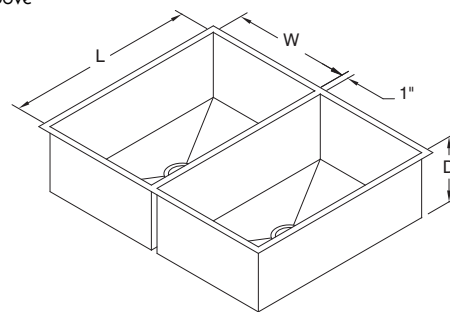


TR-2-3219-LRE Shown Above

Features:

- 16 Gauge, Type 304 Stainless Steel
- Stainless steel 3-1/2" rear drain and basket strainer (1-1/2" I.P.S.)
- Sound deadened
- 0° Radius

Model	Sink Bowl Dim. L x W x D	O.A. L x W	Sink Base Length	Approx. Wt.
TR-2-3219-RE	14.5"x17"x10" / 14.5"x17"x10"	32"x19"	36"	39 lbs.
TR-2-3219-RRE	13"x17"x10" / 16"x17"x10"	32"x19"	36"	39 lbs.
TR-2-3219-LRE	16"x17"x10" / 13"x17"x10"	32"x19"	36"	39 lbs.



(There is a 1" flange on all 4 sides. We suggest leaving 3" clear in rear for rear mount faucet or faucet can also be mounted on side.)

Faucets Not Included



TREND™ Adjoined Sink Bowls:  
Two sinks connected as one overall  
unit with 1" in between.

### SINK GRIDS

Model	Fits Bowl Size
SG-1417-RE	14.5" x 17"
SG-1617-RE	16" x 17"
SG-1317-RE	13" x 17"

Professional Stainless Steel Products For Your Home

Toll Free Phone: 866-799-0106 • Toll Free Fax: 866-799-0249

www.alinebyadvancetabco.com